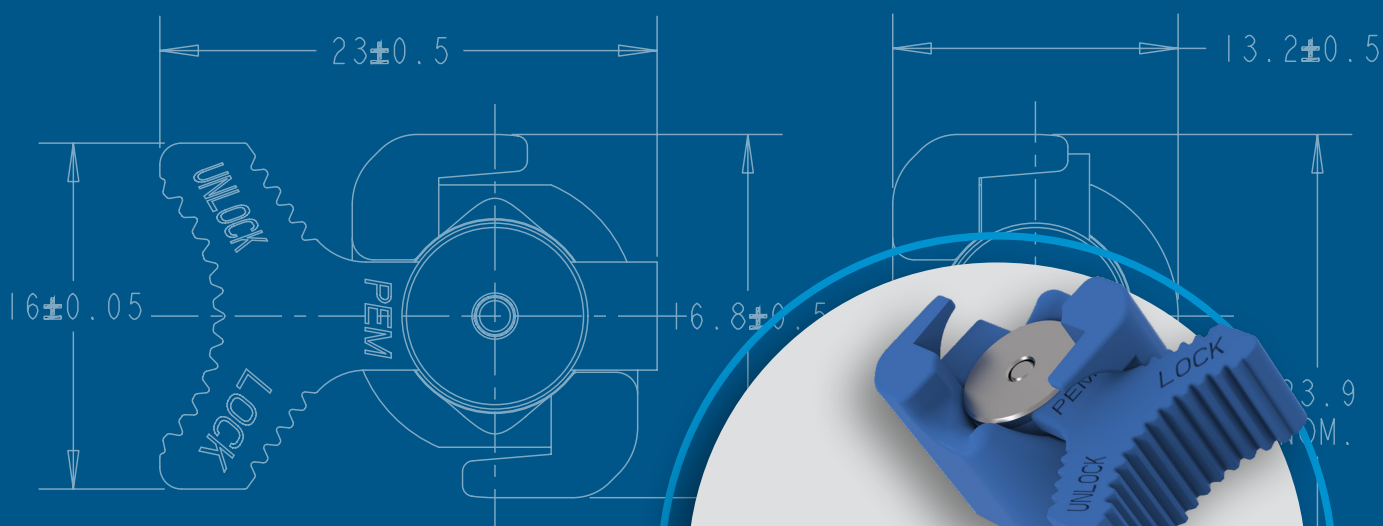


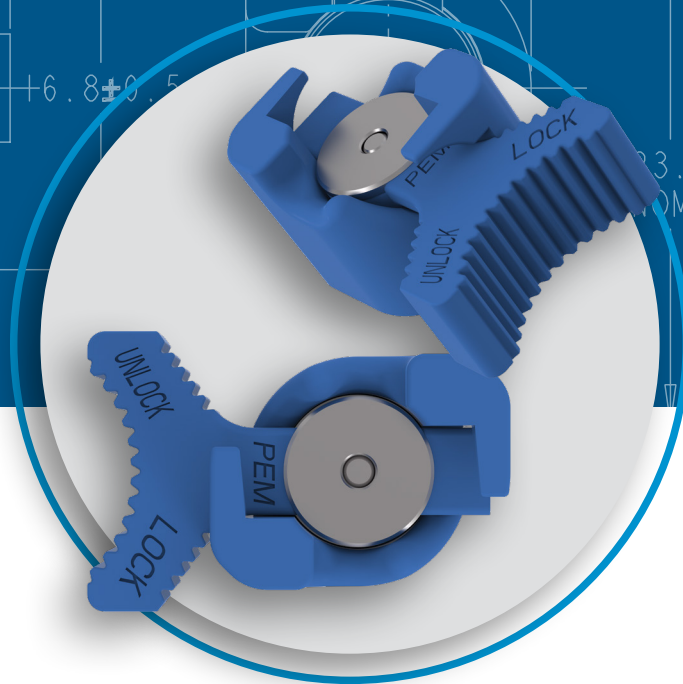


PFQT™

PEM® SIDE ACTUATED QUARTER-TURN LOCKABLE PLUNGER



Delivers reliable panel attachment through an intuitive quarter-turn motion with positive locking engagement.



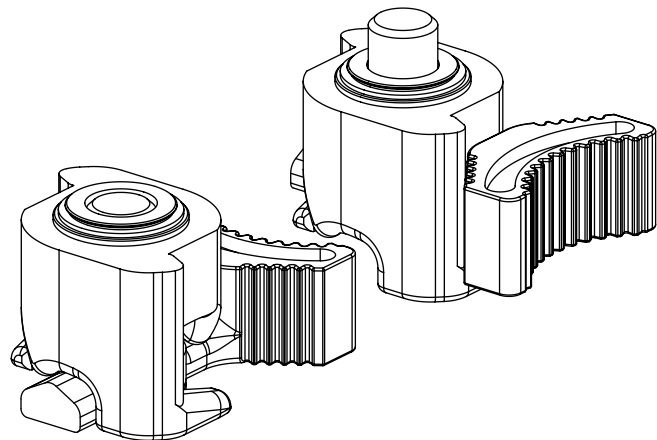
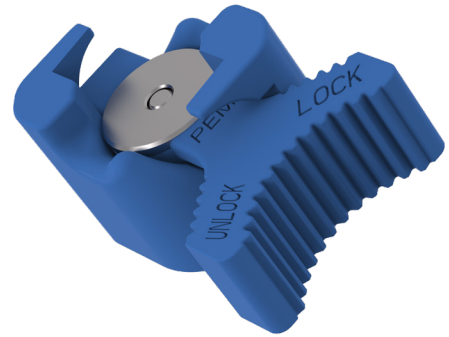
PEM® SIDE ACTUATED PANEL FASTENER

Side lever actuation provides convenient connections when vertical space is limited

The PFQTL™ panel fastener addresses the limitations of traditional slide plungers by preventing accidental unlocking during vibration or mis-operation, providing superior reliability in demanding applications. The quarter-turn mechanism provides superior holding strength of the pin in the extended position compared to spring loaded designs while maintaining the convenience of tool-free operation, combining security with ease of use.

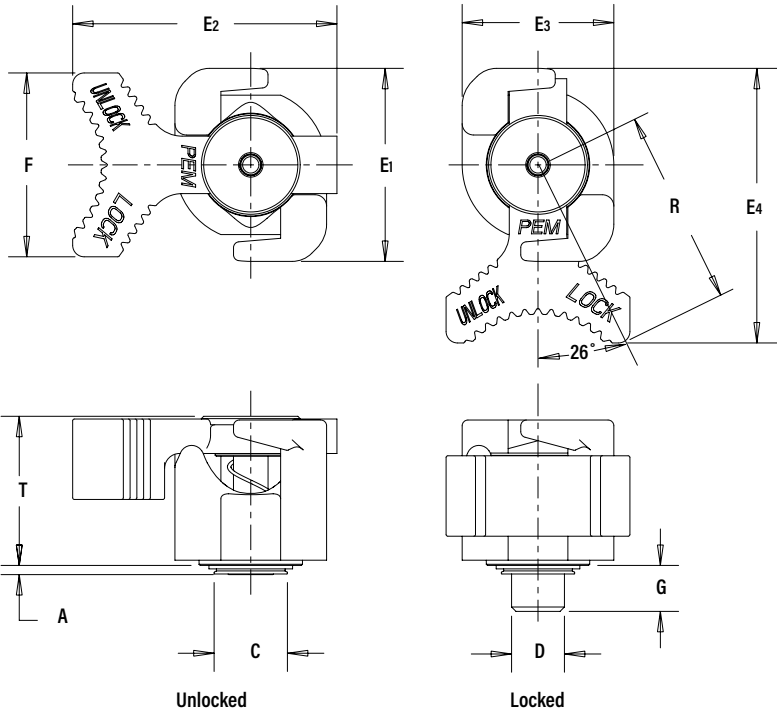
The positive engagement system of the PFQTL™ fastener gives operators confidence in secure attachment and reduces the risk of panel displacement during equipment operation – ensuring consistent performance throughout the service cycle.

- **Fool-Proof Design**
Integrated mechanism positively locks plunger pin in the engaged position, for reliable fastening
- **Quarter-Turn Operation**
Intuitive 90-degree rotation provides positive engagement with clear visual and tactile feedback
- **Enhanced Vibration Resistance**
Spring compliance and secure locking mechanism maintain connection integrity under dynamic conditions
- **Versatile Configuration Options**
Available in left and right-hand turn directions to accommodate diverse design requirements
- **Durable Construction**
Retainer and plunger are hardened carbon steel with protective zinc plating ensure long service life

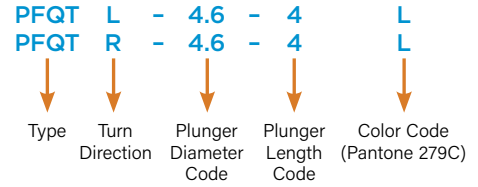


Fastener drawings and models are available at www.pemnet.com.
Custom sizes are available on special order. [Contact us](#) for more information.

Dimensional Data



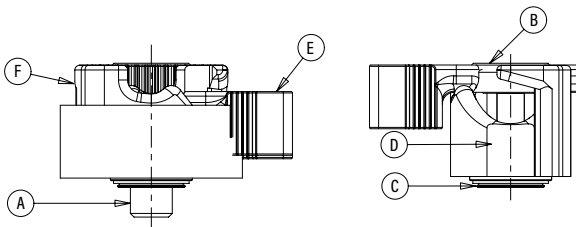
Part Number Designation



PFQT plunger is available in left and right-hand turn directions to accommodate diverse design requirements

Type	Plunger Dia. Code	Plunger Length Code	A (Shank) Max.		Min. Sheet Thickness		Hole Size in Sheet +.003" -.000" / +0.08mm		C Max.		D ±.004" / ±0.1mm		E1 ±.020" / ±0.5mm		E2 ±.020" / ±0.5mm		E3 ±.020" / ±0.5mm		E4 ±.020" / ±0.5mm		F ±.020" / ±0.5mm		G ±.026" / ±0.65mm		R +.020"-.000" / +0.5mm		T Nom.	
			in.	mm	in.	mm	in.	mm	in.	mm	in.	mm	in.	mm	in.	mm	in.	mm	in.	mm	in.	mm	in.	mm	in.	mm	in.	mm
PFQTL	4.6	4	.032	0.8	.032	0.8	.252	6.4	.251	6.38	.181	4.6	.661	16.8	.910	23	.520	13.2	.941	23.9	.630	16	.158	4	.673	17.1	.512	13
PFQTR	4.6	4	.032	0.8	.032	0.8	.252	6.4	.251	6.38	.181	4.6	.661	16.8	.910	23	.520	13.2	.941	23.9	.630	16	.158	4	.673	17.1	.512	13

Material and Finish Specifications

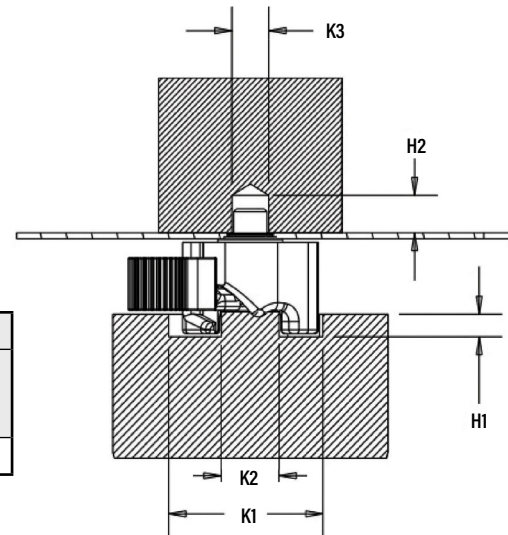


Item	Component	Fastener Materials				Standard Finishes/Color			For Use in Sheet Hardness: (1)
		Carbon Steel	Hardened Carbon Steel	300 Series Stainless Steel	Polycarbonate (UL 94V-0, Halogen Free) (2)	Pantone 279C	Zinc plated per ASTM B633, SC1 (5µm), Type III, Colorless (3)	Natural Finish	
A	Pin	▪	▪				▪		
B	Cap	▪					▪		
C	Retainer 1		▪				▪		
D	Spring (not shown)			▪				▪	
E	Handle				▪	▪			
F	Retainer 2					▪	▪		

(1) HRB - Hardness Rockwell "B" Scale, HB - Hardness Brinell.
 (2) Temperature Limit: 210° F (99° C). Additional cap colors available on special order.
 (3) See PEM Technical Support section of our web site for related plating standards and specifications.

Installation

1. Prepare properly sized mounting hole in sheet. Do not perform any secondary operations such as deburring.
2. Place the assembly in the anvil and then place the sheet over the shank of the fastener.
3. With punch and anvil surfaces parallel, rotate the assembly to the desired orientation in the panel and then apply squeezing force to embed the fastener in the sheet.



Type	Punch Dimensions			Anvil Dimensions		HAEGER® Part Number	
	H1 ±.020" / ±0.5mm	K1 ±.020" / ±0.5mm	K2 ±.020" / ±0.5mm	H2 ±.020" / ±0.5mm	K3 ±.020" / ±0.5mm	Anvil	Punch
PFQT	.394" / 10mm	.945" / 24mm	.295" / 7.5mm	.197" / 5mm	.201" / 5.1mm	H-152-4.6	H-143-4.6

PFQT fasteners are supplied in the locked position.

Performance Data⁽¹⁾

Type	Diameter Code	Test Sheet Material	Installation		Retainer Pushout	
			lbs.	N	lbs.	N
PFQTL	4.6	Cold-rolled Steel	2000	8900	79	350

(1) Published installation forces are for general reference. Actual set-up and confirmation of complete installation should be made by observing proper seating of fastener as described in the installation steps. Other performance values reported are averages when all proper installation parameters and procedures are followed. Variations in mounting hole size, sheet material, and installation procedure may affect performance. Performance testing this product in your application is recommended. We will be happy to provide technical assistance and/or samples for this purpose.

All PEM® products meet our stringent quality standards. If you require additional industry or other specific [quality certifications](#), special procedures and/or part numbers are required. Please contact your local sales office or representative for further information.

Regulatory [compliance information](#) is available in Technical Support section of our website. Specifications subject to change without notice. See our website for the most current version of this bulletin.



North America: Danboro, Pennsylvania USA | E-mail: info@pemnet.com | Tel: +1-215-766-8853 | 800-237-4736 (USA)
Europe: Galway, Ireland | E-mail: europa@pemnet.com | Tel: +353-91-751714
Asia/Pacific: Singapore | E-mail: singapore@pemnet.com | Tel: +65-6-745-0660
Kunshan, China: E-mail: salesgreaterchina@pemnet.com | Tel: +86-512-5276-9300
 Visit our PEMNET™ Resource Center at www.pemnet.com • Technical support e-mail: techsupport@pemnet.com