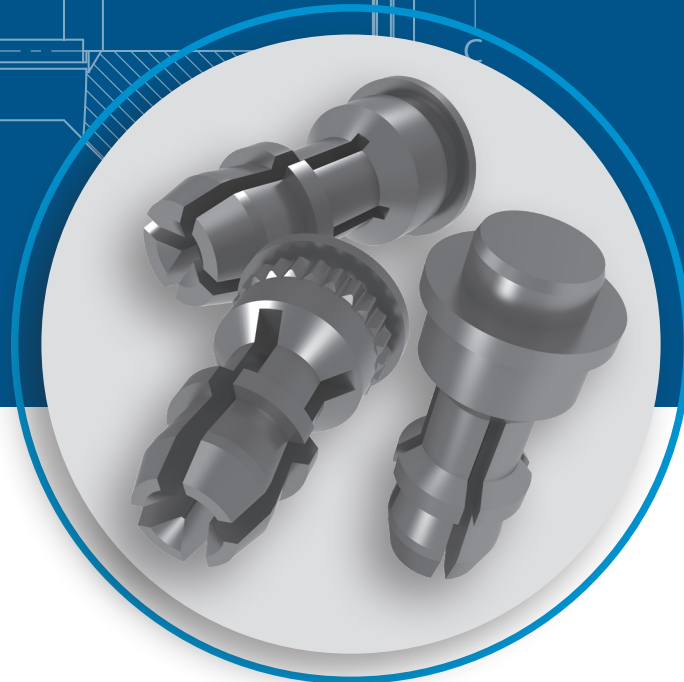
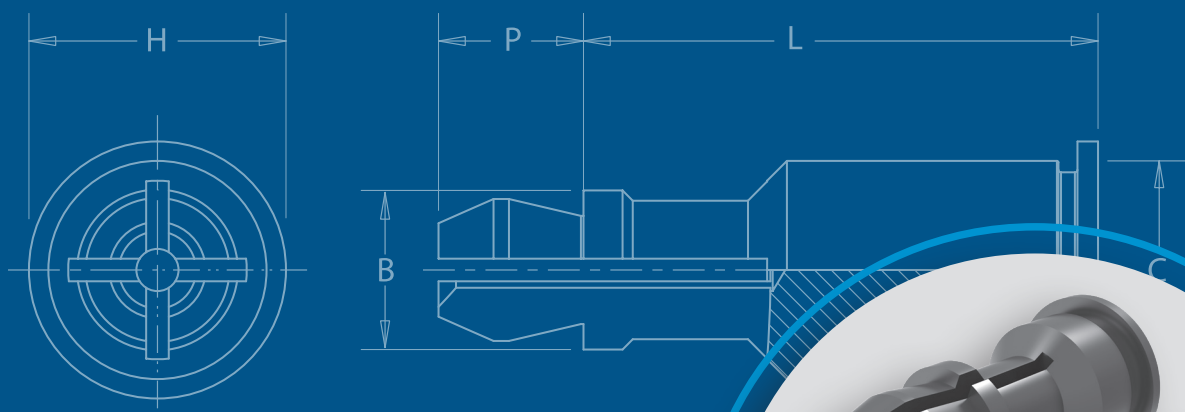




# SSA™ SNAP-TOP® STANDOFFS



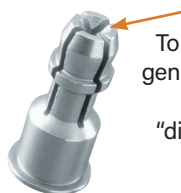
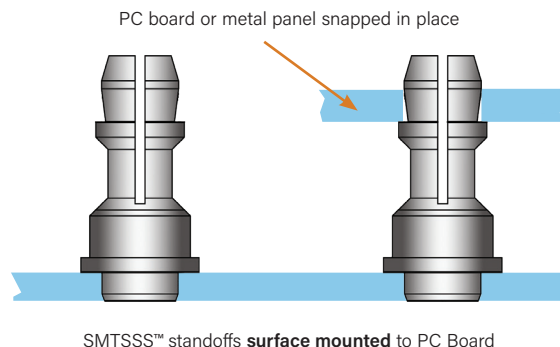
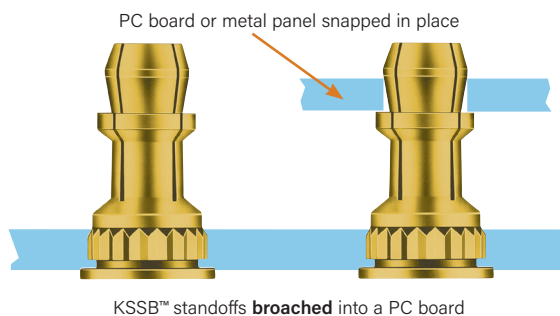
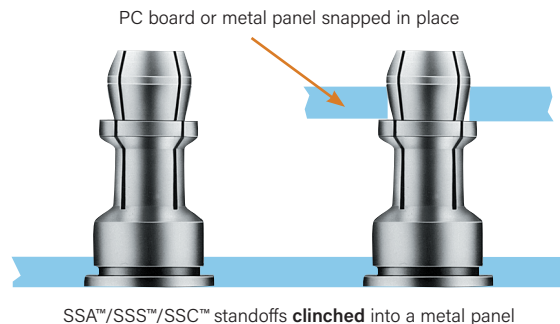
PEM® brand SNAP-TOP® standoffs are designed for permanent installation into metal panels or PC Boards

**PEM® SNAP-TOP® Standoffs are designed for permanent installation into metal panels or PC boards.**

- Spring action to hold PC Boards and subassemblies securely.
- Allows for quick removal.
- Eliminates screws and other threaded hardware.
  - Less parts to handle during assembly.
  - Less risk of damaging delicate circuitry because of loose parts falling into your equipment.
- Available in three different mounting styles:
  - Self-clinching for installation into ductile materials
  - Broaching for installation into PC Board and brittle material.
  - Surface mount for installation to PC Board
- Permanently installed in the panel.

Installation forces, pushout and snap forces are listed on [page 8](#).

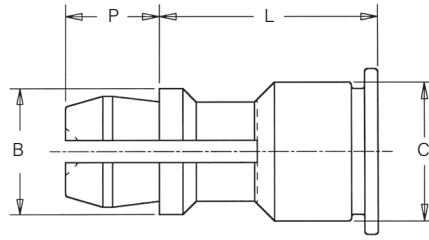
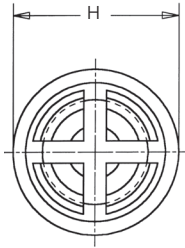
Fastener drawings and models are available at [www.pemnet.com](http://www.pemnet.com). Custom sizes are available on special order. [Contact us](#) for more information.



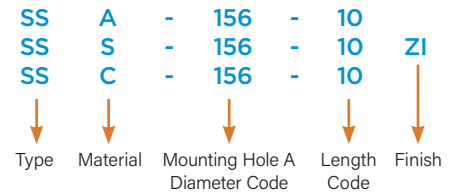
To be sure that you are getting genuine PEM® brand SNAP-TOP® standoffs, look for the "dimple" registered trademark.

Custom sizes are available on special order. [Contact us](#) for more information.

SSA™/SSS™/SSC™ Standoffs For Clinching Into Metal Sheets



Part Number Designation



**FASTENER MATERIAL:**

SSA: Aluminum  
 SSS: Carbon Steel  
 SSC: 400 Series Stainless Steel

**FINISH:**

SSA: Natural  
 SSS: ZI - Zinc plated per ASTM B633, SC1 (5µm), Type III, colorless, plus clear chromate (1)  
 SSC: Passivated and/or tested per ASTM A380

All dimensions are in inches.

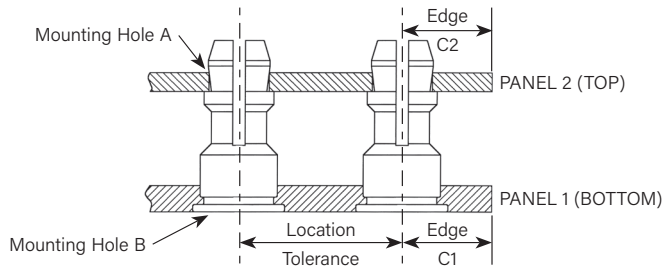
Unified	Type			Panel 2 (Top) Mounting Hole Diameter Code	Length Code "L" ±.005 (Length Code in 32nds of an inch)									B ±.005	C Max.	H ±.005	P ±.005	
	Fastener Material																	
	Aluminum	Carbon Steel	Stainless Steel															
	SSA	SSS	SSC	156	.250	.312	.375	.437	.500	.562	.625	.750	.875	1.00				

All dimensions are in millimeters.

Metric	Type			Panel 2 (Top) Mounting Hole Diameter Code	Length Code "L" ±0.13 (Length Code in millimeters)									B ±0.13	C Max.	H ±0.13	P ±0.13
	Fastener Material																
	Aluminum	Carbon Steel	Stainless Steel														
	SSA	SSS	SSC	4MM	8	10	12	14	16	18	20	22	25 <sup>(2)</sup>	4.78	5.39	6.35	3.58

- (1) See PEM Technical Support section of our web site for related plating standards and specifications.
- (2) This length not available for Type SSA aluminum fasteners.

Application Data



All dimensions are in inches.

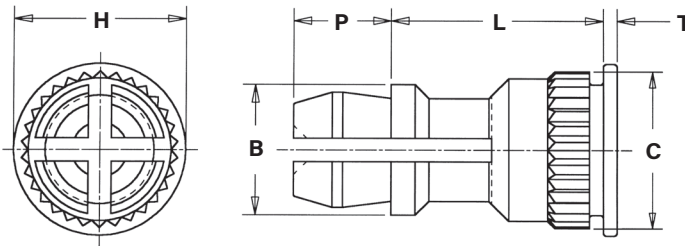
Unified	Panel 1							Panel 2				
	Type	Hardness Max. (2)	Bottom Mounting Hole B +.003 -.000	Panel Material	Thickness Min.	Edge Distance C1 Min. (4)	Location Tolerance	Hardness Max.	Top Mounting Hole A +.003 -.000	Panel Material	Thickness Range (3)	Edge Distance C2 Min. (4)
		SSA	HRB 50 / HB 82	.213	Metal	.040	.260	±.005	No Limit	.156	PC Board or Metal	.040 - .070
	SSS	HRB 60 / HB 107										
	SSC	HRB 70 / HB 125										

All dimensions are in millimeters.

Metric	Panel 1							Panel 2				
	Type	Hardness Max. (2)	Bottom Mounting Hole B +0.08	Panel Material	Thickness Min.	Edge Distance C1 Min. (4)	Location Tolerance	Hardness Max.	Top Mounting Hole A +0.08	Panel Material	Thickness Range (3)	Edge Distance C2 Min. (4)
		SSA	HRB 50 / HB 82	5.41	Metal	1	6.6	±0.13	No Limit	4	PC Board or Metal	1 - 1.8
	SSS	HRB 60 / HB 107										
	SSC	HRB 70 / HB 125										

- (2) HRB - Hardness Rockwell "B" Scale. HB - Hardness Brinell.
- (3) Available for thicker boards on special order.
- (4) For more information on proximity to bends and distance to other clinch hardware, see [PEM® Tech Sheet C/L To Edge](#).

KSSB™ Standoffs For Broaching Into PC Boards



Part Number Designation



**FASTENER MATERIAL:**

Brass

**FINISH:**

Standard: X - Plain

Optional: ET - Electro-plated Tin, ASTM B545 Class B (5µm) with preservative coating, annealed (1)  
(Optional ET finish is available on special order with additional charge.)

All dimensions are in inches.

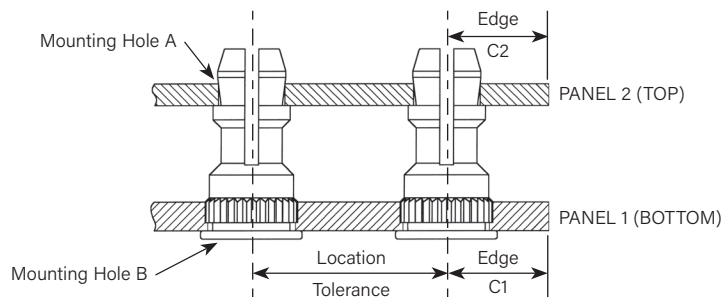
Unified	Type	Panel 2 (Top) Mounting Hole Diameter Code	Length Code "L" ±.005 (Length Code in 32nds of an inch)										B ±.005	C ±.003	H ±.005	P ±.005	T ±.005
			.250	.312	.375	.437	.500	.562	.625	.750	.875	1.00					
KSSB	156	8	10	12	14	16	18	20	24	28	32	.188	.226	.250	.141	.020	

All dimensions are in millimeters.

Metric	Type	Panel 2 (Top) Mounting Hole Diameter Code	Length Code "L" ±0.13 (Length Code in millimeters)										B ±0.13	C ±0.08	H ±0.13	P ±0.13	T ±0.13
			8	10	12	14	16	18	20	22	25						
KSSB	4MM	8	10	12	14	16	18	20	22	25	4.78	5.74	6.35	3.58	0.51		

(1) See PEM Technical Support section of our web site for related plating standards and specifications.

Application Data



All dimensions are in inches.

Unified	Type	Panel 1						Panel 2				
		Hardness Max. (2)	Bottom Mounting Hole B +.003 -.000	Panel Material	Thickness Min.	Edge Distance C1 Min. (4)	Location Tolerance	Hardness Max.	Top Mounting Hole A +.003 -.000	Panel Material	Thickness Range (3)	Edge Distance C2 Min. (4)
KSSB	HRB 65 / HB 116	.213	PC Board	.050	.220	±.005	No Limit	.156	PC Board or Metal	.040 - .070	.100	

All dimensions are in millimeters.

Metric	Type	Panel 1						Panel 2				
		Hardness Max. (2)	Bottom Mounting Hole B +0.08	Panel Material	Thickness Min.	Edge Distance C1 Min. (4)	Location Tolerance	Hardness Max.	Top Mounting Hole A +0.08	Panel Material	Thickness Range (3)	Edge Distance C2 Min. (4)
KSSB	HRB 65 / HB 116	5.41	PC Board	1.27	5.59	±0.13	No Limit	4	PC Board or Metal	1 - 1.8	2.54	

(2) HRB - Hardness Rockwell "B" Scale. HB - Hardness Brinell.

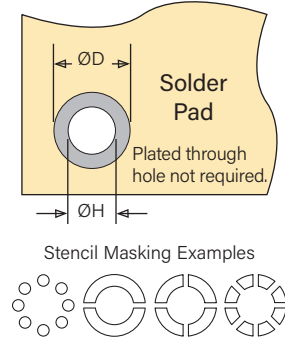
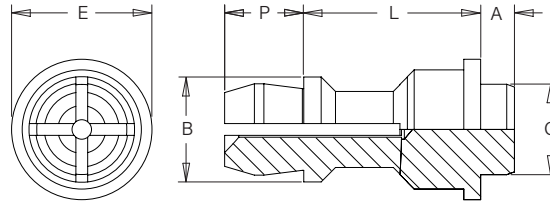
(3) Available for thicker boards on special order.

(4) For more information on proximity to bends and distance to other clinch hardware, see [PEM® Tech Sheet C/L To Edge](#).

SMTSS™ REELFAST® SNAP-TOP® Standoffs



**NOTE:** REELFAST® SNAP-TOP® SMTSS™ standoffs are for on-only applications. For removal applications, mounting hole A can be increased to reduce removal force.



**FASTENER MATERIAL:**

Carbon Steel

**FINISH:**

ET - Electro-plated Tin, ASTM B545 Class A with clear preservative coating, annealed (1)(2)

- (1) See PEM Technical Support section of our web site for related plating standards and specifications.
- (2) Optimal solderability life noted on packaging.

All dimensions are in inches.

Unified	Top Board Mounting Hole A Diameter Code	Type and Material	Length Code "L" ±.005 (Length Code in 32nds of an inch)		Min. Sheet Thickness	A Max.	C Max.	E ±.005	B ±.005	P ±.005	ØH Hole Size in Sheet +.003 -.000	ØD Min. Solder Pad
			.250	.375								
	156	SMTSSS	8	12	.060	.060	.161	.250	.188	.141	.166	.276

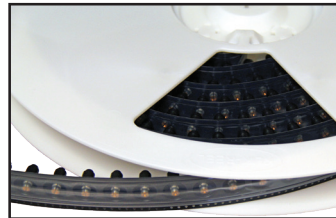
All dimensions are in millimeters.

Metric	Top Board Mounting Hole A Diameter Code	Type and Material	Length Code "L" ±0.13 (Length Code in millimeters)			Min. Sheet Thickness	A Max.	C Max.	E ±0.13	B ±0.13	P ±0.13	ØH Hole Size in Sheet +0.08	ØD Min. Solder Pad
			6	8	10								
	4MM	SMTSSS	6	8	10	1.53	1.53	4.09	6.35	4.8	3.58	4.22	7

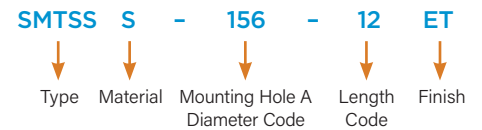
**Number Of Parts Per Reel**

Type, Material and Size	Length Code / Number of Parts per Reel		
SMTSSS-156	-8 / 280	-12 / 220	
SMTSSS-4MM	-6 / 300	-8 / 250	-10 / 200

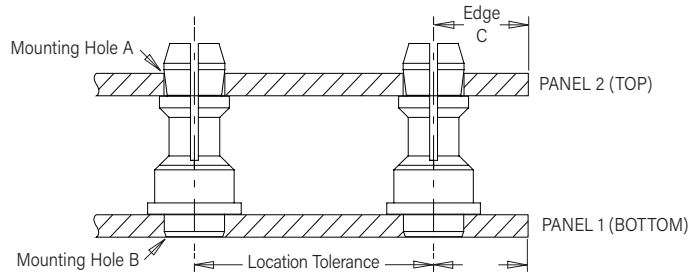
Packaged on 330 mm recyclable reels. Tape width is 24 mm. Supplied with polyimide patch for vacuum pick up. Reels conform to EIA-481.



**Part Number Designation**



**Application Data**



All dimensions are in inches.

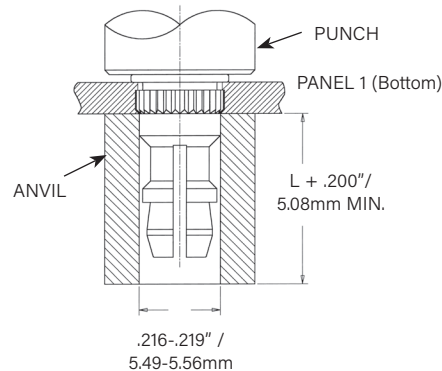
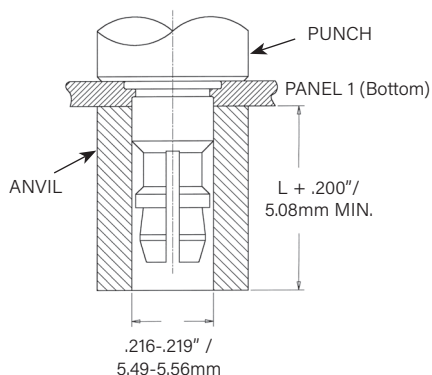
Unified	Type and Material	Panel 1				Panel 2					
		Hardness Max.	Bottom Mounting Hole B +.003 -.000	Panel Material	Thickness Min.	Location Tolerance	Hardness Max.	Top Mounting Hole A +.003 -.000	Panel Material	Thickness Range	Edge Distance C Min. (1)
	SMTSSS	No Limit	.166	P.C. Board	.060	±.005	No Limit	.156	P.C. Board or Metal	.040 - .070	.100

All dimensions are in millimeters.

Metric	Type and Material	Panel 1				Panel 2					
		Hardness Max.	Bottom Mounting Hole B +0.08	Panel Material	Thickness Min.	Location Tolerance	Hardness Max.	Top Mounting Hole A +0.08	Panel Material	Thickness Range	Edge Distance C Min. (1)
	SMTSSS	No Limit	4.22	P.C. Board	1.53	±0.13	No Limit	4	P.C. Board or Metal	1 - 1.8	2.54

(1) For more information on proximity to bends and distance to other clinch hardware, see [PEM® Tech Sheet C/L To Edge](#).

## Installation



### SSA™/SSS™/SSC™ Standoffs

1. Prepare properly sized mounting hole in Panel 1 (Bottom).
2. Place the fastener through the mounting hole (preferably the punch side) of the panel and into the anvil as shown in the drawing.
3. With punch and anvil surfaces parallel, apply only enough squeezing force to embed the head flush with the panel.

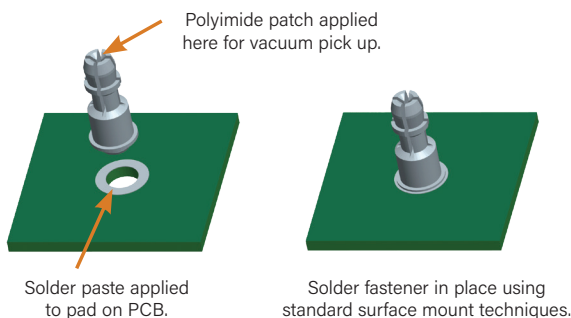
### KSSB™ Standoffs

1. Prepare properly sized mounting hole in Panel 1 (Bottom).
2. Place the fastener through the mounting hole of the board and into the anvil as shown in the drawing.
3. With punch and anvil surfaces parallel, apply only enough squeezing force to bring the head into contact with the board.

## Installation Tooling

Type	HAEGER® Part No.		PEMSERTER® Part Number	
	Anvil	Punch	Anvil	Punch
SSA, SSS, SSC	H-109-6/M3.5L	H-108-0019L	970200015300	975200048
KSSB	H-109-6/M3.5L	H-108-0019L	970200015300	975200048

### SMTSSS™ Standoffs



### Installation Notes

- For best results we recommend using a HAEGER® or PEMSERTER® machine for installation of PEM® self-clinching fasteners. Please check our website for more information.
- Visit the Animation Library on our website to view the installation process [for select products](#).

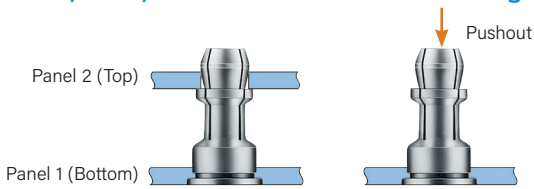


For Additional HAEGER® and PEMSERTER® Tooling Information/Part Numbers visit our [tooling wizard](#)

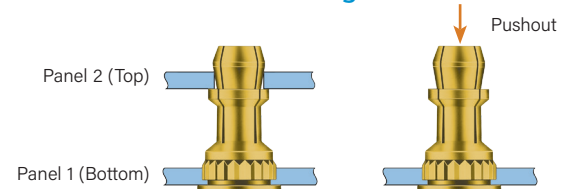


Performance Data<sup>(1)</sup>

SSA™/SSS™/SSC™ Standoffs - Self-clinching



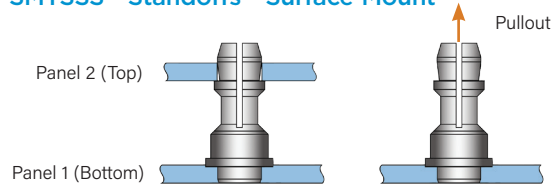
KSSB™ Standoffs - Broaching



Unified	Panel 1 (Bottom)				Panel 2 (Top) (Removable)		
	Type	Test Sheet Material	Installation (lbs.)	Pushout (lbs.)	Max. First on Snap Force (lbs.)	Min. First off Snap Force (lbs.)	Min. 15th off Snap Force (lbs.)
	SSA	Aluminum	1500	200	13	3	1
	SSS	Aluminum	1500	200	20	6	2
	SSC	Aluminum	1500	200	20	6	2
	SSS	Cold-rolled Steel	3600	400	20	6	2
	SSC	Cold-rolled Steel	3600	400	20	6	2
	KSSB	FR-4 Fiberglass	500	110	13	3	1

Metric	Panel 1 (Bottom)				Panel 2 (Top) (Removable)		
	Type	Test Sheet Material	Installation (kN)	Pushout (N)	Max. First on Snap Force (N)	Min. First off Snap Force (N)	Min. 15th off Snap Force (N)
	SSA	Aluminum	6.7	890	58	13	4
	SSS	Aluminum	6.7	890	89	27	9
	SSC	Aluminum	6.7	890	89	27	9
	SSS	Cold-rolled Steel	16	1780	89	27	9
	SSC	Cold-rolled Steel	16	1780	89	27	9
	KSSB	FR-4 Fiberglass	2.2	484	58	13	4

SMTSSS™ Standoffs - Surface Mount



Type, Material and Size	Panel 1 (Bottom)		Panel 2 (Top)	
	Test Sheet Material	Pullout (2)	Max. Snap-on Force	Min. Snap Retention Force
SMTSSS-156	.062" Single Layer FR-4	113 lbs.	20 lbs.	6 lbs.
SMTSSS-4MM	1.58 mm Single Layer FR-4	500 N	89 N	27 N

Testing Conditions

- Oven** Quad ZCR convection oven with 4 zones
- High Temp** 473°F / 245°C
- Board Finish** 62% Sn, 38% Pb
- Board** .062" / 1.58 mm thick, Single Layer FR-4
- Screen Printer** Ragin Manual Printer
- Vias** None
- Spokes** 2 Spoke Pattern
- Paste** Alpha CVP-390 Sn96.5/3.0Ag/0.5Cu (SAC305)
- Stencil** .0067" / 0.17 mm thick

(1) Published installation forces are for general reference. Actual set-up and confirmation of complete installation should be made by observing proper seating of fastener as described in the installation steps. Other performance values reported are averages when all proper installation parameters and procedures are followed. Variations in mounting hole size, sheet material, and installation procedure may affect performance. Performance testing this product in your application is recommended. We will be happy to provide technical assistance and/or samples for this purpose.

(2) With lead-free paste. Average values of 30 test points. The data presented here is for general comparison purposes only. Actual performance is dependent upon application variables. We will be happy to provide samples for you to install. If required, we can also test your installed hardware and provide you with the performance data specific to your application.

All PEM® products meet our stringent quality standards. If you require additional industry or other specific [quality certifications](#), special procedures and/or part numbers are required. Please contact your local sales office or representative for further information.

Regulatory [compliance information](#) is available in Technical Support section of our website. Specifications subject to change without notice. See our website for the most current version of this bulletin.



**North America:** Danboro, Pennsylvania USA | E-mail: [info@pemnet.com](mailto:info@pemnet.com) | Tel: +1-215-766-8853 | 800-237-4736 (USA)

**Europe:** Galway, Ireland | E-mail: [europa@pemnet.com](mailto:europa@pemnet.com) | Tel: +353-91-751714

**Asia/Pacific:** Singapore | E-mail: [singapore@pemnet.com](mailto:singapore@pemnet.com) | Tel: +65-6-745-0660

**Kunshan, China:** E-mail: [salesgreaterchina@pemnet.com](mailto:salesgreaterchina@pemnet.com) | Tel: +86-512-5276-9300

Visit our PEMNET™ Resource Center at [www.pemnet.com](http://www.pemnet.com) • Technical support e-mail: [techsupport@pemnet.com](mailto:techsupport@pemnet.com)